



TECHNICAL DATASHEET

TOPLA ENERGY E92

ORDER INFORMATION

TAB ID
108092

Short Code
E92

DIN Marking
59220

EAN Code
3838807027510

Quantity per EU/CNT pallet
36/72 pcs

TECHNOLOGY

Primary Function
Engine Start

Battery Technology
Flooded

Grid Type (pos/neg)
Expanded/Concasted

Grid Alloy (pos/neg)
Ca/Ca

Separator
PE

Electrolyte (g/cm³)
1,28

TECHNICAL INFORMATION

Voltage (V)
12

Capacity C20 (Ah)
92

CCA -18°C EN (A)
800

RC (min)
165

LxWxH (mm)
353x175x175

Total Weight (kg)
20.5

BOX DESIGN

Box Type
L5B

Cover Type
Kamina

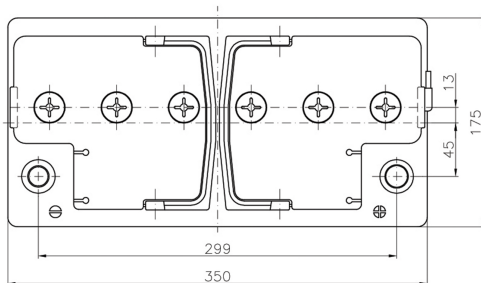
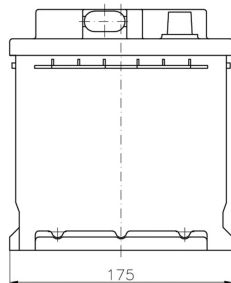
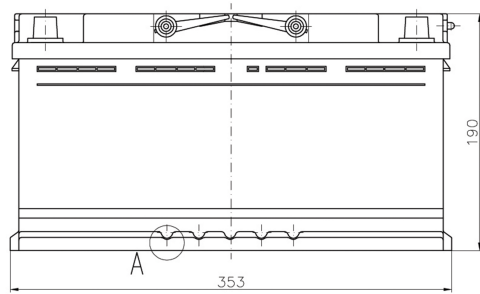
Colour
Red

Layout
0

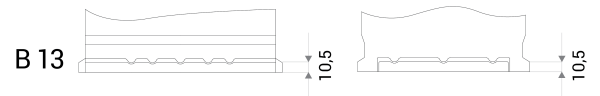
BHD
B13

Terminal
1

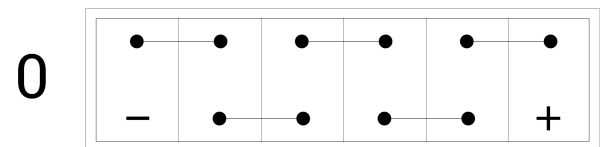
DRAWING



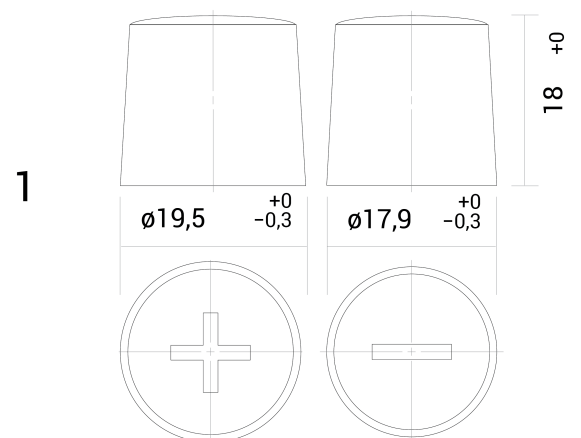
BHD



LAYOUT



TERMINAL



TECHNICAL DATASHEET

TOPLA ENERGY E92