



# TECHNICAL DATASHEET

## TOPLA ENERGY E11H

### ORDER INFORMATION

TAB ID  
**108210**

Short Code  
**E11H**

DIN Marking  
**61002**

EAN Code  
**3838807027534**

Quantity per EU/CNT pallet  
**36/60 pcs**

### TECHNOLOGY

Primary Function  
**Engine Start**

Battery Technology  
**Flooded**

Grid Type (pos/neg)  
**Expanded/Concasted**

Grid Alloy (pos/neg)  
**Ca/Ca**

Separator  
**PE**

Electrolyte (g/cm<sup>3</sup>)  
**1,28**

### TECHNICAL INFORMATION

Voltage (V)  
**12**

Capacity C20 (Ah)  
**110**

CCA -18°C EN (A)  
**1000**

RC (min)  
**203**

LxWxH (mm)  
**394x175x190**

Total Weight (kg)  
**24.7**

### BOX DESIGN

Box Type  
**L6**

Cover Type  
**Kamina**

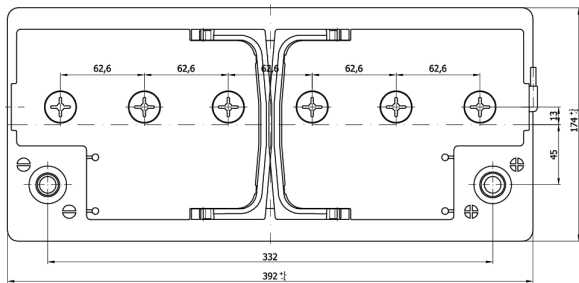
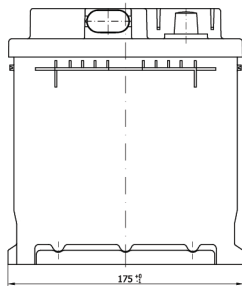
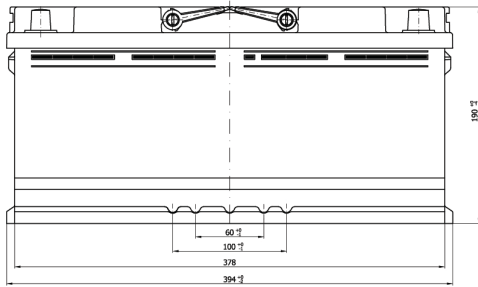
Colour  
**Black**

Layout  
**0**

BHD  
**B13**

Terminal  
**1**

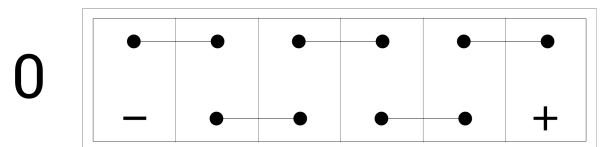
## DRAWING



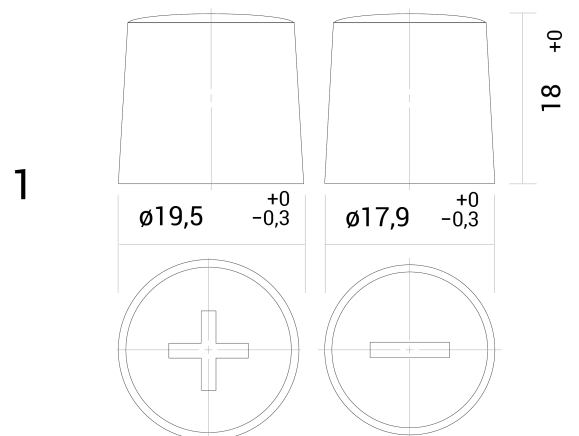
## BHD



## LAYOUT



## TERMINAL



## TECHNICAL DATASHEET

# TOPLA ENERGY E11H